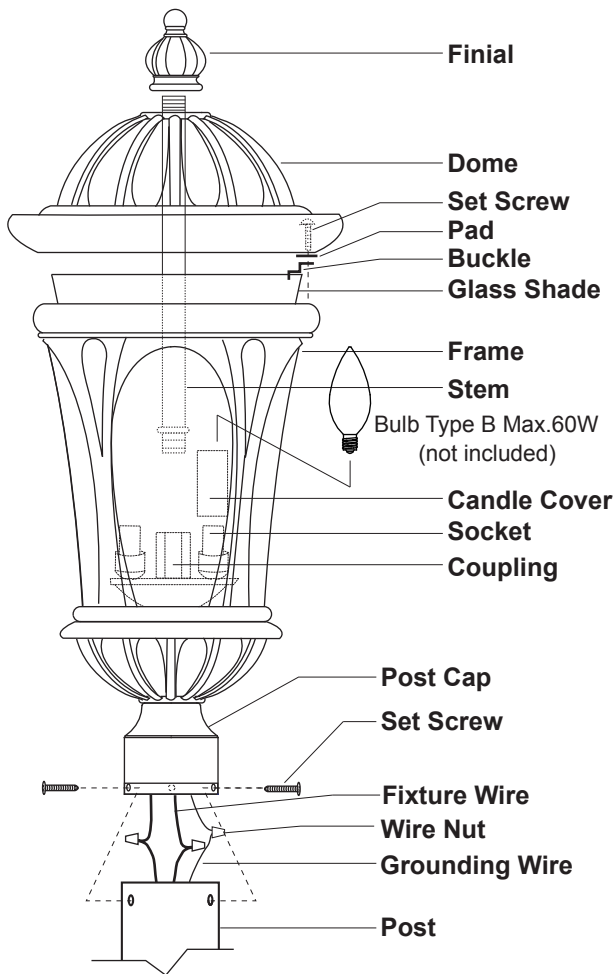


ASSEMBLY AND INSTALLATION INSTRUCTIONS

Item No:543PHM / 543PHB / 544PHM / 544PHB

WARNING: BE SURE TO SHUT OFF POWER AT THE MAIN FUSE OR CIRCUIT BREAKER BOX BEFORE INSTALLING OR SERVICING THIS FIXTURE.



1. Carefully take the glass shade out of the frame, then discard the bubble bags.

2. Pull out the wires and grounding wire from the post.

Make wire connections using the wire nuts:

---The black wire from the fixture to the black wire from the post.

---The white wire from the fixture to the white wire from the post.

---The grounding wire from the fixture to the grounding wire from the post.

Carefully put the wires back into the post.

3. Place the post cap on the post, then secure it with the set screws.

CAUTION: With silicone caulking compound, caulk completely around where the post cap meets with the post surface to prevent water from seeping into the post.

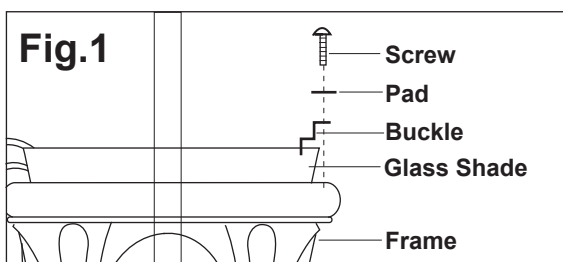
4. Secure the heading side of the stem into the coupling. Then put the glass shade into the frame carefully by inserting the stem.

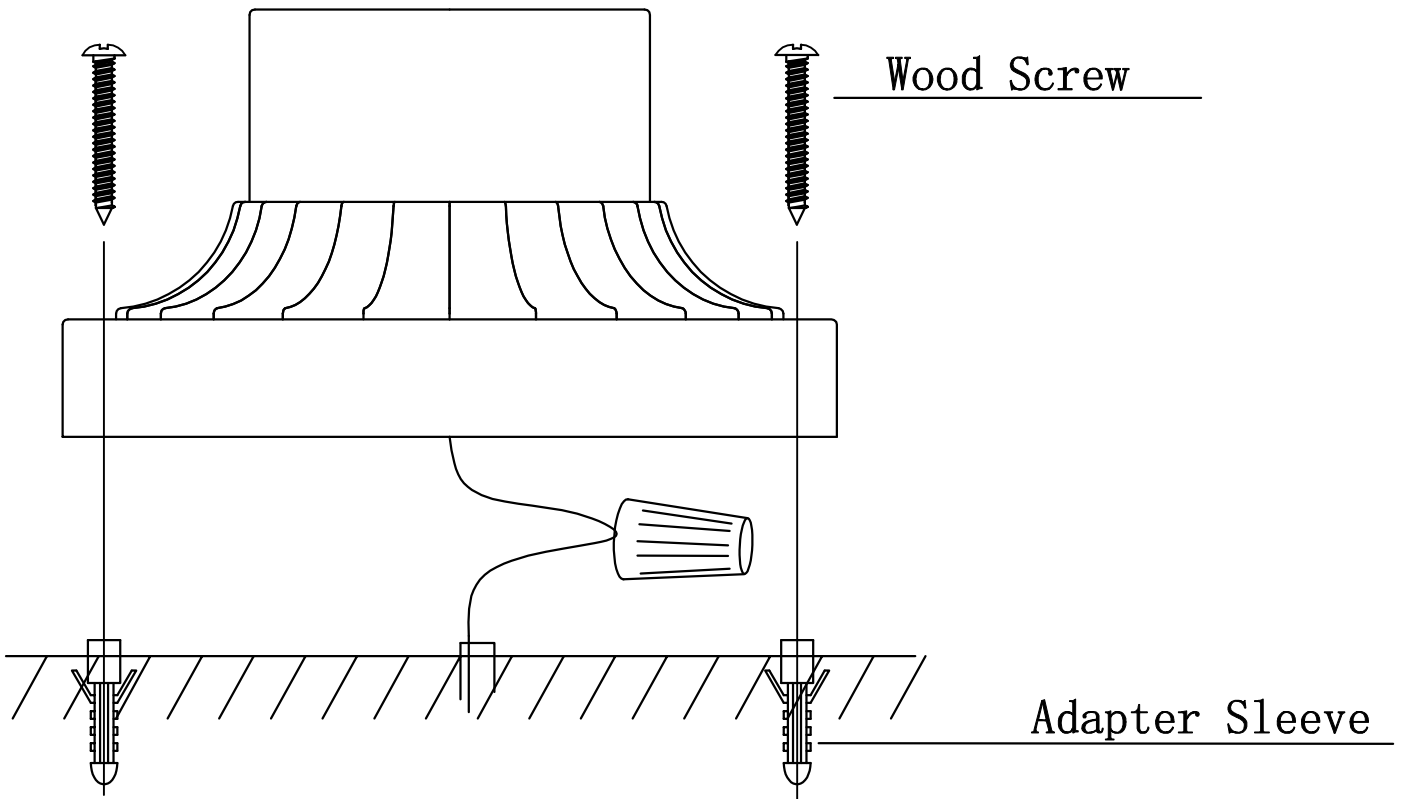
5. Secure the buckles to fix the glass shade by using three pads and three screws. (See Fig.1)

6. Attach the candle tubes to the sockets, then install a bulb (not included). See relamping label at socket area or packaging for maximum allowed wattage.

7. Attach the dome to the frame by inserting the stem, then secure it with the finial.

8. Turn on the power at the main fuse or circuit breaker box.





PM