

ASSEMBLY INSTRUCTIONS FOR YOUR

Jonathan Adler

PARKER FLUSHMOUNT

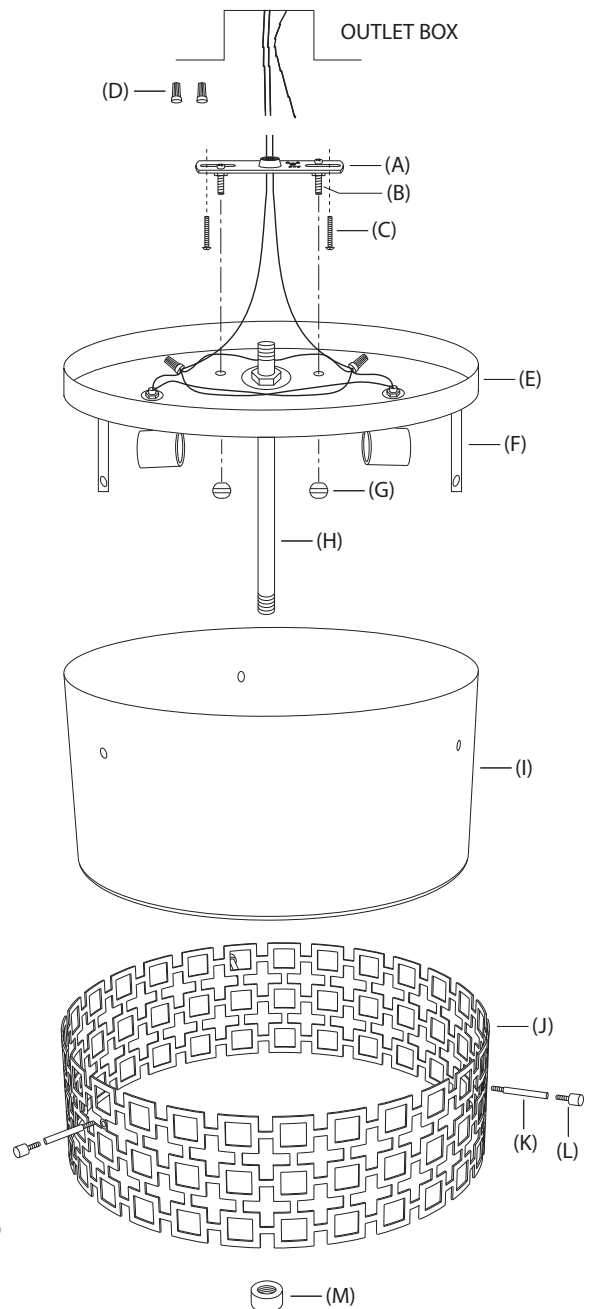
****IT IS RECOMMENDED THAT A LICENSED ELECTRICIAN INSTALL THIS FIXTURE****

Warning: If any special control devices are used with this fixture, follow the instructions carefully to assure full compliance with N.E.C. requirements. If there are any questions, contact a qualified electrical contractor.

ASSEMBLY INSTRUCTIONS

****SHUT OFF ELECTRICAL SUPPLY AT CIRCUIT BREAKER****

1. Remove all parts carefully from the carton.
2. Remove cross bar (A) from canopy (E) by removing decorative nuts (G) from cross bar screws (B). Set decorative nuts (G) aside.
3. Affix cross bar (A) to ceiling outlet box with mounting screws (C).
4. Lift canopy (E) to ceiling outlet box; make proper electrical connection.
5. Attach ground wire from outlet box (green or copper in color) to ground screw on crossbar (A) (green in color).
6. Attach hot wire from fixture (black in color) to hot wire from ceiling outlet box. Fasten wires together with wire nut (D) and tightly wrap connection with electrical tape.
7. Attach neutral wire from fixture (white in color) to neutral wire from ceiling outlet box. Fasten wires together with wire nut (D) and tightly wrap connection with electrical tape.
8. Gently push wires back into ceiling outlet box.
9. Align crossbar screws (B) with holes in canopy (E). Place canopy (E) flush against ceiling, allowing crossbar screws (B) to pass through holes in canopy (E). Thread decorative nuts (G) onto exposed threads of crossbar screws (B) to secure canopy (E) to outlet box.
10. Insert three 75W Max Type A bulb into sockets.
11. Remove finial (M) from threaded tube (H). Set finial (M) aside.
12. Lift glass shade (I) to canopy (E). Place top of glass shade (I) flush against ceiling. Allow threaded tube (H) to pass through hole in center of glass shade (I).
13. Thread finial (M) onto exposed threads of tube (H) to secure glass shade (I) to fixture.
14. Unthread alignment pin cap (L) from alignment pin (K). Repeat step for each pin set.
15. Rotate glass shade (I) so holes on side of shade align with holes in brackets (F). Insert threaded end of alignment pin (K) through hole in glass shade (I) into threaded hole in bracket (F). Repeat step for each pin set.
16. Lift metal shade (J) over glass shade (I). Align holes in metal shade (J) with threaded holes in alignment pins (K). Insert threaded nipple on alignment pin cap (L) through hole in metal shade (J). Thread cap (L) into hole in alignment pin (K). Repeat step for each pin set.



To clean use soft cloth only. Do not use chemical or abrasive cleaners.