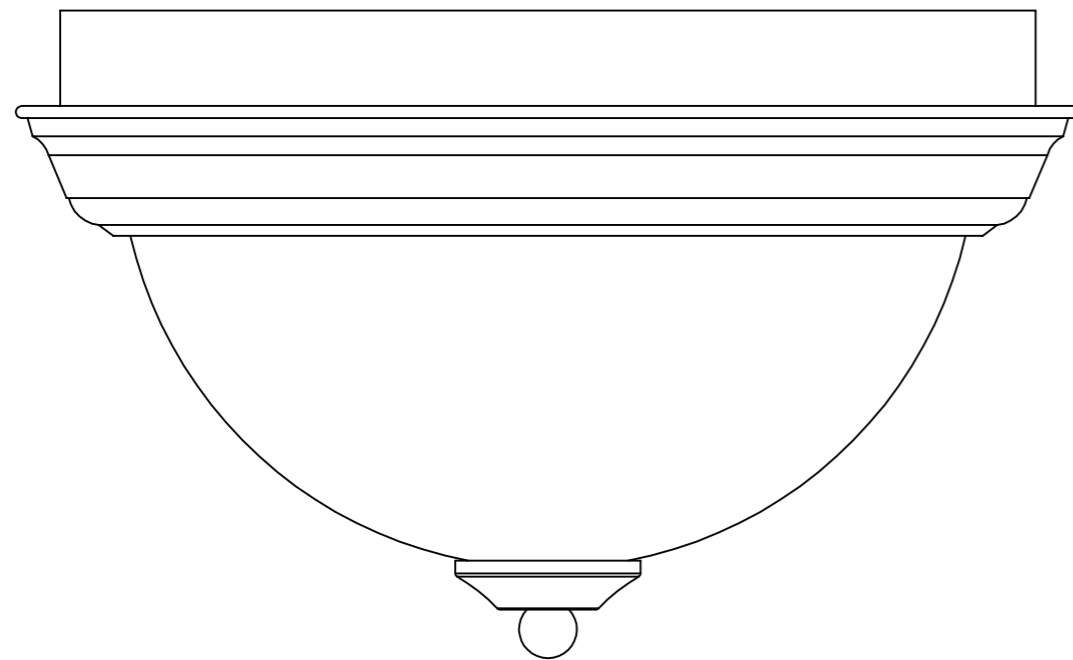




PRODUCT NAME: Essentials
ITEM NUMBER: 5840&85840

Please consult your electrician for hanging fixture and wiring.



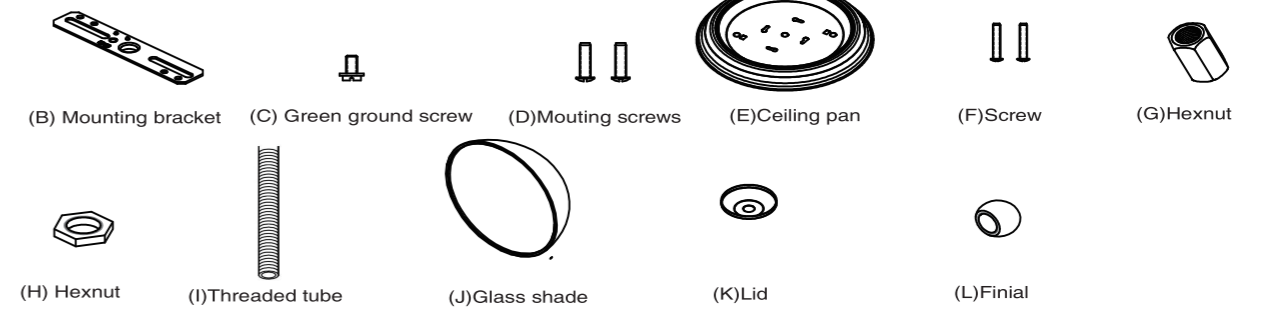
CAUTION: Please consult a qualified Electrician if you are not familiar with electrical wiring.

Bulb(not included): 1*A19 MAX60W E26

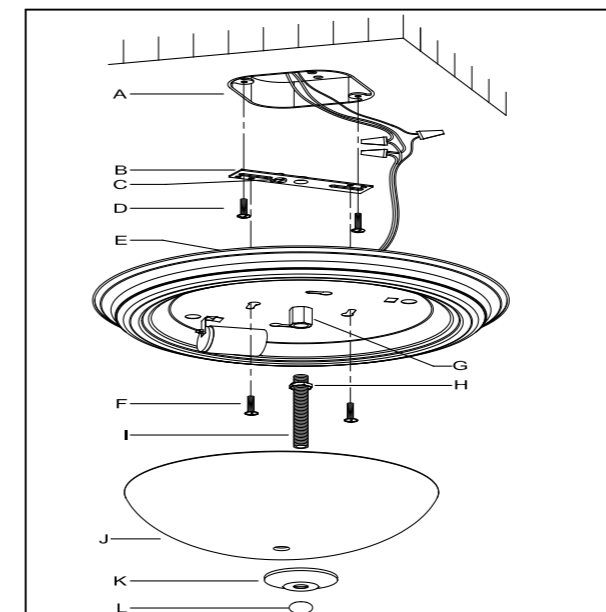
MADE IN CHINA

Page 1

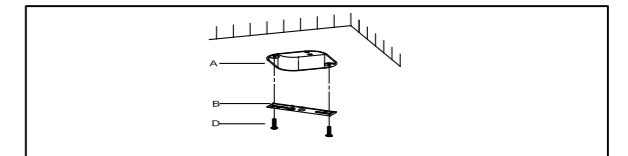
IMPORTANT: Turn off the power at the main fuse or circuit breaker box before starting installation



Locate all hardware & components before discarding packaging

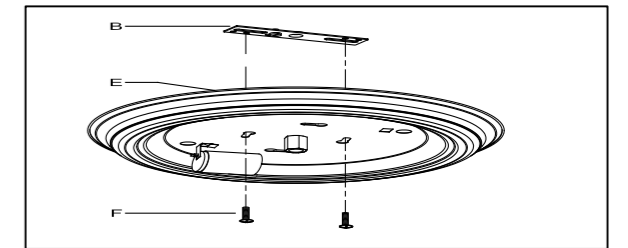


1.)



Step.1: Pull the power supply wires out from the outlet box(A), and mount the mounting bracket (B) to the outlet box(A), using mounting screws(D).

2.)

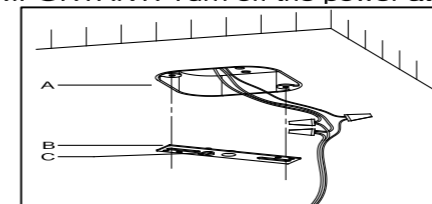


Step.2: Screw the screws(F) into the mounting bracket(B) and adjust the screws until the screw head can out from the ceiling pan(E).

Cleaning & Care:
Clean with soft cloth and a mild detergent.
Do not use abrasive cleaner.

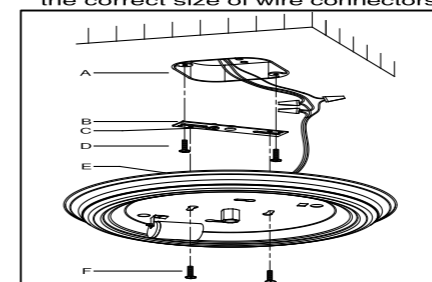
IMPORTANT: Turn off the power at the main fuse or circuit breaker box before starting installation

3.)



Step.3: Attach the power supply wires to the fixture load wires by connecting BLACK to BLACK and WHITE to WHITE. Attach the power supply ground wire from the outlet box(A) and the fixture ground wire from the fixture to the green ground screws(C) on the mounting bracket(B) or connect both wires together using the correct size of wire connectors

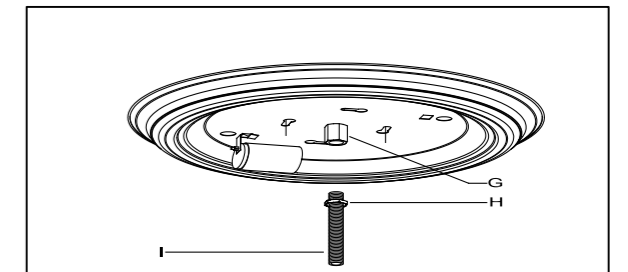
4.)



Step.4: Placing the ceiling pan(E) with keyhole slots on the fixture over the outlet box(A) and the head of screw(F) will pass through the large end of the keyhole slot. The ceiling pan(E) must than be turned slightly so that screw(F) head is over the smaller part of the opening of the keyhole slot. Tighten screws(F) once ceiling pan is in place

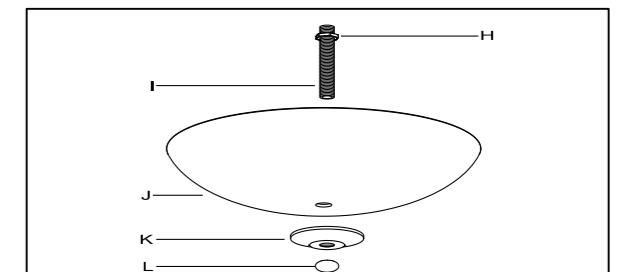
Step.5: Install light bulb (not provided).

6.)



Step.6: Screw the threaded tube (I) into the hexnut (G) and tighten with the hexnut (H).

7.)



Step.7: Fit the glass shade(J) and the lid(K) onto the threaded tube(I) then tighten with the finial(L).

Cleaning & Care:
Clean with soft cloth and a mild detergent.
Do not use abrasive cleaner.

Page 2